



Setting
the
Highest
Standard
for
Diamond
Grading™

AMERICAN GEM SOCIETY LABORATORIES®

Diamond Quality™ Document

Square Modified Brilliant
0.801 cts.

Light Performance	0
Proportion Factors	0
Finish	0
Polish	Ideal
Symmetry	Ideal

AGS 104060832008

September 12, 2012

Shape and Style Square Modified Brilliant

Measurements: 5.03 x 5.02 x 3.77 mm

Cut Grade AGS Ideal 0

Color Grade AGS 0.5 (E)

Clarity Grade AGS 1 (VVS1)

Carat Weight 0.801 cts.

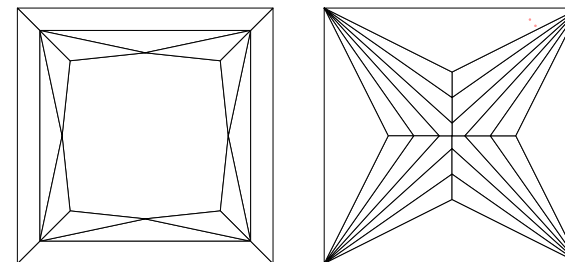
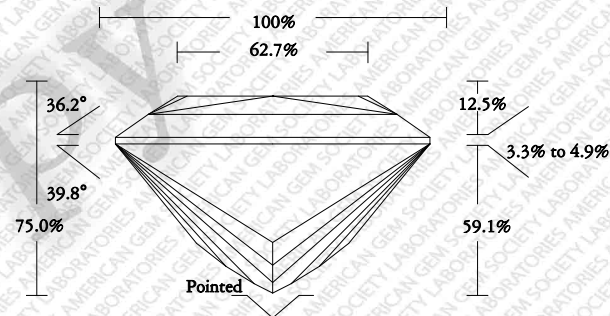
Comments

Fluorescence: Negligible
"AGSL 104060832008" has been inscribed on the girdle of this diamond.

IMPORTANT NOTICE:

All three quality factors of Cut, Color, and Clarity can dramatically affect the beauty and value of a diamond. Because of cutting, diamonds with the same color and clarity grades can vary in value by as much as 50% or more. Therefore, it is advisable to consult a Certified Gemologist® or other credentialed gemologist, before purchasing this Diamond.

THIS DOCUMENT IS NOT A WARRANTY, GUARANTEE, OR APPRAISAL OF VALUE.



Key to Symbols

Pinpoint •



PLOT INFORMATION: The Clarity grade is diagrammed using the clarity symbols contained in the AGS Diamond Standards Manual. Red marks indicate inclusions; green marks indicate external blemishes.

Cut Scale	0	1	2	3	4	5	6	7	8	9	10													
	AGS Ideal	AGS Excellent	AGS Very Good	AGS Good		AGS Fair			AGS Poor															
Color Scale	0	0.5	1.0	1.5	2.0	2.5	3.0	3.5	4.0	4.5	5.0	5.5	6.0	6.5	7.0	7.5	8.0	8.5	9.0	9.5	10.0	To	Fancy Yellow	
	D	E	F	G	H	I	J	K	L	M	N	O	P	Q	R	S	T	U	V	W	X	Y	Z	Fancy Yellow
	COLORLESS			NEAR COLORLESS			FAINT			VERY LIGHT			LIGHT											
Clarity Scale	0	1	2	3	4	5	6	7	8	9	10													
	FLAWLESS / IF	VVS1	VVS2	VS1	VS2	S11	S12	I1	I2	I3														